



CN Series

The Class C UL listed 7W and 12W Self-Ballasted LED Bulbs come in a length of 5.63" and 6.5". With high efficacy of 110LPW, the bulbs are suitable to replace a 60 watt and 100 watt incandescent fixture. They are built for use in harsh environments, with a wide operating temperature range -40°F -185°F (-40°C-85°C), and integrated 257°F (125°C) thermal switch protection, turning off the bulb on 257°F (125°C) and re - start on 188.6°F (87°C). Working on 185°F (85°C), bulbs provide 5,000hrs lifetime; on 140°F (60°C), they can provide more than 30,000hrs life time. All components' work temperature is up than 257°F (125°C). The bulbs can be multiply used in totally enclosed, recessed luminaires, double insulated. They're the ideal products for both indoor and outdoor applications such as explosion-proof luminaires, cooking place luminaires, warehouses luminaires, special industry lighting.



FEATURES

- Class C UL listed for damp locations
- 110 lumens per watt
- 85-277VAC universal voltage
- 185°F(85°C) Ambient Temperature
- Integrated 257°F(125°C) thermal protection & 188.6°F (87°C re-start
- As enclosed retrofit bulb for cooking place luminaires

CN Series

APPLICATIONS

- Cooking place luminaries,
- Warehouses luminaries
- Recessed down lighting
- Residential Institution Buildings
- Conference / Meeting rooms
- Hotels /Department
- Factories & Offices
- Commercial Purposes
- Schools/Museum
- Hospitals

CONSTRUCTION

- Aluminum housing, polycarbonate cover
- Totally enclosed, recessed luminaries, double insulated.
- Nichia high effect LED chips.
- High light efficiency, lighting efficiency reaches 110lm/w
- High temperature resistant enclosed retrofit ,85°C Ambient Temperature.
- Integrated 125°C(257°F) Thermal protection & 87°C(188.6°F) re-start.



Cooking

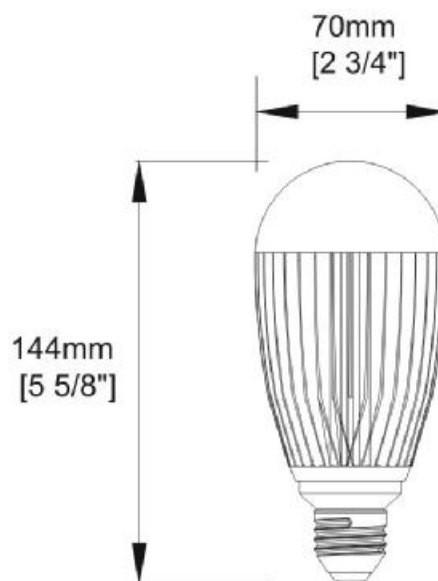
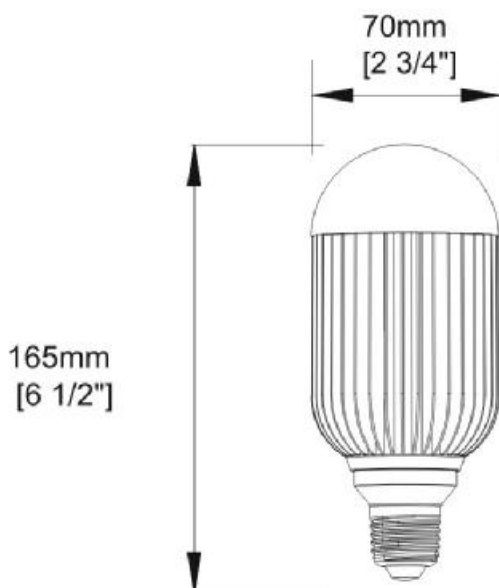


Commercial Purposes



Bar

DIMENSION:(mm/in)



CN Series

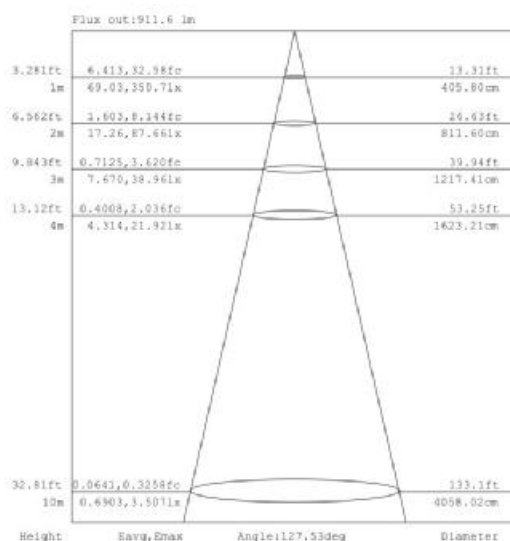
TECHNICAL SPECIFICATION

- Input Voltage : 85-277VAC
- Driver Type : UL High performance LED drive.
- Power factor : >99%, THD <15 %
- Lamp Luminous Flux(lm): up to 1350lm
- Efficiency(lm/w): up to 112lm/w
- Colour Rendering Index : > 80Ra
- LED Type : High performance LM80 SMD3030 LED
- Operating Temperature : -40°C up to 85°C(-40°F up to 185°F)
- Color Temperature : 3000K/4000K
- Material : Aluminum body, PC Cover
- Warranty : 3 years

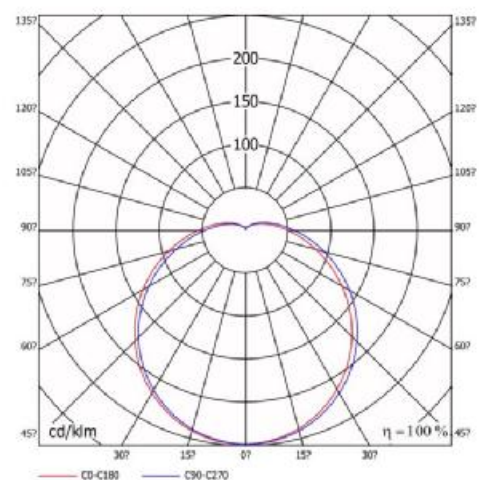
Produce Code	KLCN34	KLCN13
Bulb Shape	A19	A19
Cap(Base)	E26	E26
Life time (hrs)	5000h@85°C 30000h@60°C	5000h@85°C 30000h@60°C
Warranty (years)	3years	3years
Cover Material	Polycarbonate(PC)	Polycarbonate(PC)
Operation Temperature(°C)	-40°C up to 85°C(-40°F up to 185°F)	-40°C up to 85°C(-40°F up to 185°F)
Rated Wattage	12W	7W
Rated Voltage	85-277VAC	85-277VAC
Wattage Equivalent (WE)	100W	60W
Power Factor	>0.9	>0.9
Start Time	>0.5s	>0.5s
Switching Cycle	>20000times	>20000times
Lumen Output	1350lm	800lm
Beam Angle	180Degree	180Degree
Color Temperature	3000K/4000K	3000K/4000K
Color Rendering Index	>80	>90
Certification	UL 1993/CSA-C22.2 No. 1993-12/ ANSI/UL8750 /CSA-C22.2 No. 250.13-12	UL 1993/CSA-C22.2 No. 1993-12/ ANSI/UL8750 /CSA-C22.2 No. 250.13-12

LUMINAIRE PHOTOMETRIC

Cone illuminance Diagram:



Luminous Intensity Distribution Diagram:





CN Series

High Quality Aluminum LED retrofit bulb,
quality is better than peers.



Fixtures and electrical components are UL certified to USA and Canada standards;

- Energy saving, environmental, 180° beam angle to make sure the uniform lighting performance
- Unique heat-dissipating design and perfect thermal management



CN Series

PACKAGING

Model No.	Qty (pcs)	L*W*H (CM)	NW. (kgs)	G.W. (kgs)	Meas. (CBM)
			Per CTN	Per CTN	Per CTN
KLCN13	20	42*34*20CM	5.80	7.20	0.29
KLCN34	20	42*34*20CM	7.40	8.80	0.29